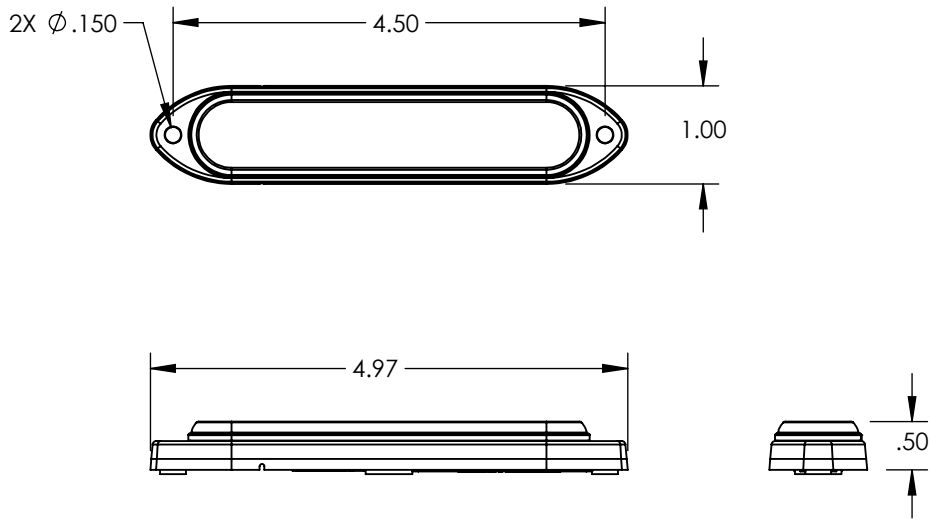


REV.	ECR	DESCRIPTION	DATE
A	19384	INITIAL DRAWING REQUEST	03/20/2024



SPECIFICATIONS:

INPUT VOLTAGE RANGE: 10-30VDC
 CURRENT DRAW: 0.4A AVG, 1.4A PEAK @ 12.8VDC
 NV NOMINAL PEAK WAVE LENGTH OUTPUT: 401nm
 OPERATING TEMPERATURE RANGE: -40C TO 55C

① **CONNECTIONS:**

22 GAGE RED 7" +/- 0.5" : POWER, ENABLES BOTH COLOR & NON-VISIBLE LEDS
 22 GAGE BLACK 7" +/- 0.5": NEGATIVE
 22 GAGE GREEN 7" +/- 0.5": MODE SELECT, PATTERN SELECT
 22 GAGE WHITE 7" +/-0.5" SYNC

INSTALLATION:

2 HOLE MOUNT: 4.50"

CAN BE FLASHED BY AN EXTERNAL CONTROLLER
 NV CAN GO DIM IN SUNLIGHT

MATERIAL:

MODULE DC LENS: POLYCARBONATE
 MODULE HOUSING: DIE CAST, BLACK POWDER COAT
 MOUNTING HARDWARE:
 #6 X 5/8" PHIL PAN BLACK STAINLESS STEEL SCREWS
 MOUNTING GASKET: EPDM FOAM RUBBER

CERTIFICATIONS:

SAE J595 (AMBER ONLY)
 SEE CHART

PRODUCT LABEL:

WHITE POLYESTER STOCK 1.5" X .50"
 BLACK PRINT, RED GROTE LOGO

② **INDIVIDUAL PACKAGING:** APPROXIMATELY 55G (1.94OZ.)

INDIVIDUAL WHITE BOXES
 MODEL INFORMATION PRINTED ON LABEL
 COLOR FAMILY IMAGE (ARTWORK TO BE SUPPLIED)
 MODEL BAR CODE PRINTED ON LABEL

MASTER PACKAGING: APPROXIMATELY 600G (21.2OZ.)

10 PER MASTER CARTON

BULK PACKAGING:

25 PER PACK

NO INDIVIDUAL PACKAGING; FOR CLAMSHELL ONLY

③ **INSTRUCTION SHEET:**

1 PROVIDED (ENGLISH, FRENCH, SPANISH)* EXCLUDES BULK PACK

INSPECTION ITEMS

MODEL NUMBER	DESCRIPTION	CERT MARKING	UPC	MASTER UPC
79266	AMBER, NON-VISIBLE, PEREMITER LIGHT	SAE W-1M 21	089373 03341 9	089373 03340 2
79266-3	AMBER, NON-VISIBLE, PEREMITER LIGHT	SAE W-1M 21	089373 03342 6	N/A

UNLESS OTHERWISE SPECIFIED

DIMENSIONS ARE IN INCHES

TOLERANCES:

ANGULAR: ± 2 DEG.

.X ± .100
 .XX ± .020
 .XXX ± .005
 .XXXX ± .001

RoHS: Yes

MATERIAL:

N/A

FINISH:

N/A

DRAWN BY: TA

DRAWING APPROVED BY ECR

THE INFORMATION CONTAINED IN THIS DRAWING IS THE SOLE PROPERTY OF STAR SAFETY TECHNOLOGIES ANY REPRODUCTION IN PART OR AS A WHOLE WITHOUT THE WRITTEN PERMISSION OF STAR SAFETY TECHNOLOGIES IS STRICTLY PROHIBITED.

STAR Safety Technologies

455 Rochester St. Avon NY 14414
 Ph:(585) 226-9500 Fax: (585) 226-2029

MODEL: 79266, 79266-3

TITLE:
MODEL DRAWING

DWG. NO.

79266

REV

A

SCALE: 1:4

DO NOT SCALE FROM DRAWING

SHEET 1 OF 1