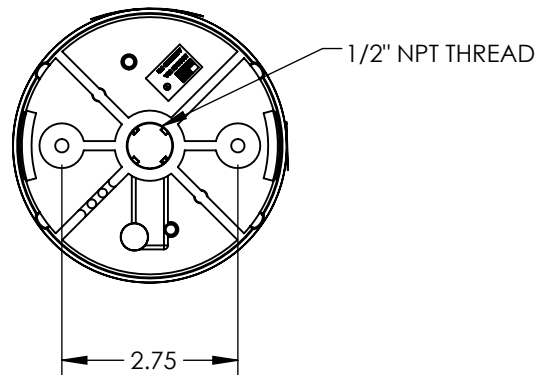
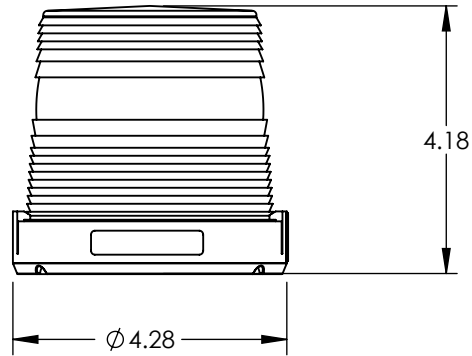


REV.	ECR	DESCRIPTION	DATE
-	16265	INITIAL DRAWING REQUEST	11/09/18



**SPECIFICATIONS:**

Input Voltage Range: 9-32VDC  
 Current Draw: 0.4A ave., 0.8A Peak @12.8VDC  
 Operating Temperature Range: -40C to 55C  
 Connections: 18 inch (min.) wires exiting the unit.  
 Permanent Mounting: 2 Hole Pattern 2.75"  
 Pipe Mount 1/2" NPT Pipe Thread

**Materials:**

Module Lens: Polycarbonate  
 Mounting Hardware: Stainless Steel  
 Base: Polycarbonate  
 Mounting Gasket: EPDM Foam Rubber

**Connections:**

18 Gage RED Wire: Positive VDC  
 18 Gage Black Wire: Negative VDC  
 18 Gage Green Wire: Pattern Select

Model Colors: See CHART 1

MODEL	COLOR	CLASSIFICATION
201ZL-A	AMBER	SAE J845 CLASS II
201ZL-B	BLUE	TBD
201ZL-C	WHITE	SAE J845 CLASS II
201ZL-G	GREEN	N/A
201ZL-R	RED	TBD
201ZL-M	MAGENTA	N/A

**UNLESS OTHERWISE SPECIFIED**

DIMENSIONS ARE IN INCHES

**TOLERANCES:**

ANGULAR: ± 2 DEG.

.X ± .100  
 .XX ± .020  
 .XXX ± .005  
 .XXXX ± .001

RoHS COMPLIANT: Yes

MATERIAL:

N/A

FINISH:

N/A

DRAWN BY: MD

**DRAWING APPROVED BY ECR**

THE INFORMATION CONTAINED IN THIS DRAWING IS THE SOLE PROPERTY OF STAR HEADLIGHT & LANTERN CO., INC.. ANY REPRODUCTION IN PART OR AS A WHOLE WITHOUT THE WRITTEN PERMISSION OF STAR HEADLIGHT & LANTERN CO., INC. IS STRICTLY PROHIBITED.

**STAR HEADLIGHT & LANTERN CO., INC.**

455 Rochester St. Avon NY 14414  
 Ph:(585) 226-9500 Fax: (585) 226-2029

MODEL: 201ZL-\*

TITLE: MODEL DRAWING

DWG. NO.

201ZL-001

REV

-

SCALE: 1:2

DO NOT SCALE FROM DRAWING

SHEET 1 OF 1