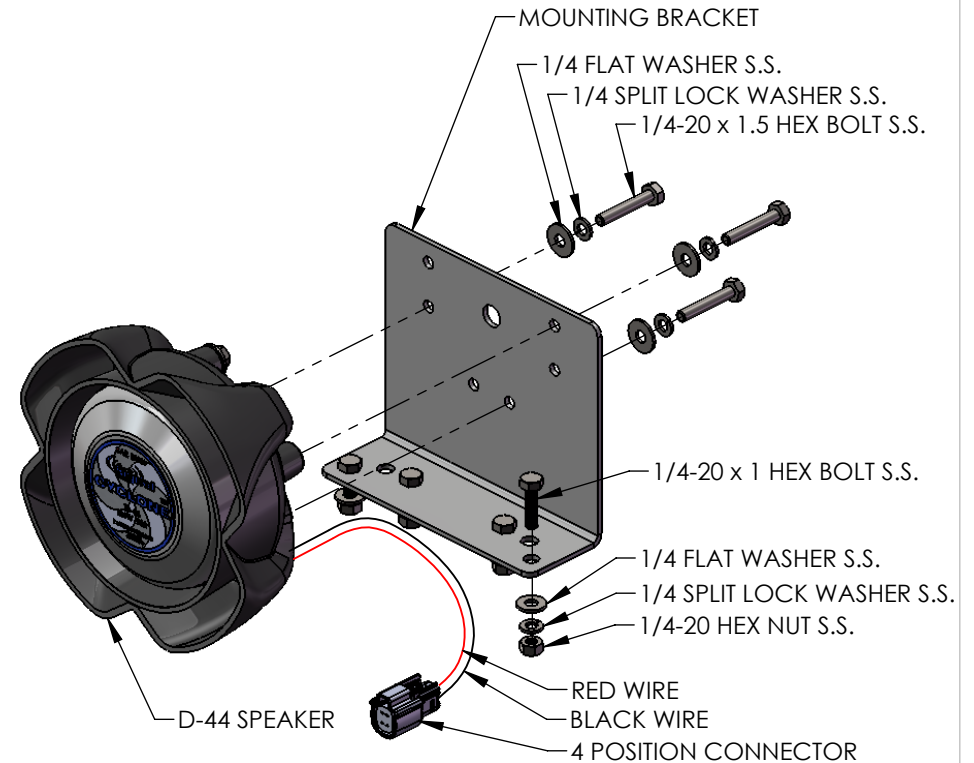
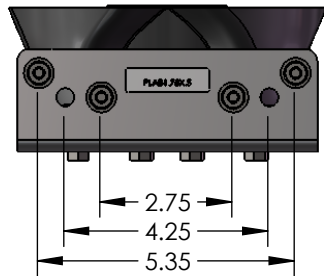
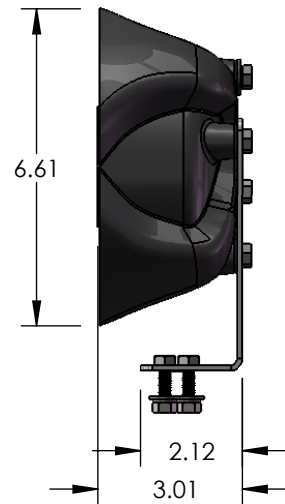
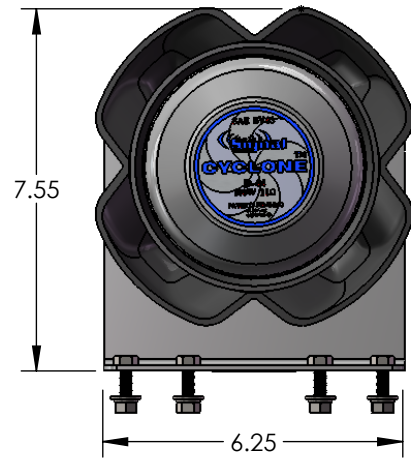


REV.	ECR	DESCRIPTION	DATE
-	11167	INITIAL DRAWING REQUEST	05/02/2013



SPECIFICATIONS:

Power 100W.
 Impedance 11ohms.
 Connection: 3 FT harness exiting the unit.
 Mounting: 6 Holes, Patterns 2.75", 4.25" and 5.35"

MATERIALS:

Speaker Housing: Glass Filled Nylon.
 Mounting Bracket: 11 gage CRS.
 Mounting Hardware: Stainless Steel.

CONNECTIONS:

18 Gage Red Wire.
 18 Gage Black Wire.
 4 Position Connector.

APPROVALS: (When used with SVP Sirens)
 SAE J1849
 CA Title 13

UNLESS OTHERWISE SPECIFIED DIMENSIONS ARE IN INCHES TOLERANCES: ANGULAR: ± 2 DEG. .X ± .100 .XX ± .020 .XXX ± .005 .XXXX ± .001	DRAWN BY: EP	STAR HEADLIGHT & LANTERN CO., INC. 455 Rochester St. Avon NY 14414 Ph:(585) 226-9500 Fax: (585) 226-2029 MODEL: D-44-FISUV TITLE: D-44-FISUV MODEL DRAWING
	DRAWING APPROVED BY ECR	
RoHS COMPLIANT: Yes	THE INFORMATION CONTAINED IN THIS DRAWING IS THE SOLE PROPERTY OF STAR HEADLIGHT & LANTERN CO., INC.. ANY REPRODUCTION IN PART OR AS A WHOLE WITHOUT THE WRITTEN PERMISSION OF STAR HEADLIGHT & LANTERN CO., INC. IS STRICTLY PROHIBITED.	
MATERIAL: N/A	DWG. NO. D-44-FISUV	REV -
FINISH: N/A	SCALE: 1:4	DO NOT SCALE FROM DRAWING SHEET 1 OF 1