

REV.	ECR	DESCRIPTION	DATE
-	14595	INITIAL DRAWING REQUEST	08/22/18

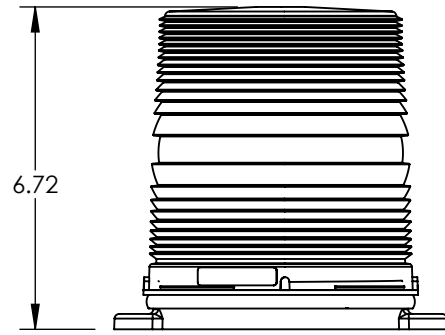
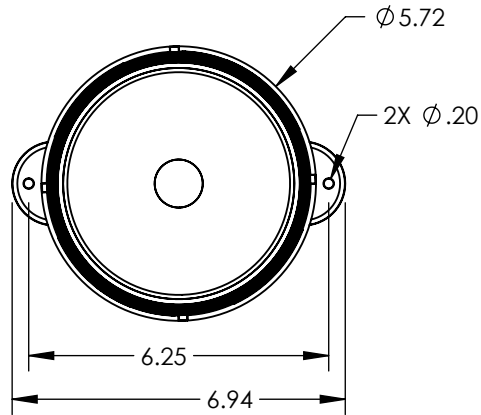
**SPECIFICATIONS:**

TYPICAL INPUT VOLTAGE RANGE: 9-32VDC  
 TYPICAL CURRENT DRAW: 12.8VDC=0.45A  
 TYPICAL CURRENT DRAW: 25.6VDC=0.23A  
 TYPICAL LIGHT OUTPUT (8 WARM WHITE LED'S): 1144 lm PEAK  
 TYPICAL LIGHT OUTPUT (8 COOL WHITE LED'S): 1223 lm PEAK  
 TYPICAL LIGHT OUTPUT (8 PC AMBER LED'S): 880 lm PEAK  
 LUMEN MAINTENANCE: 85% LUMEN AFTER 100,000 HOURS OPERATION  
 OPERATING TEMPERATURE RANGE: -40C TO 55C  
 CONNECTIONS: 18 GAGE RED WIRE MIN. 18" LONG + POWER  
                   18 GAGE BLACK WIRE MIN. 18" LONG - GROUND  
                   18 GAGE GREEN WIRE MIN. 18" LONG - PATTERN SELECT  
                   20 GAGE WHITE WIRE MIN. 18" LONG SYNCHRONIZATION

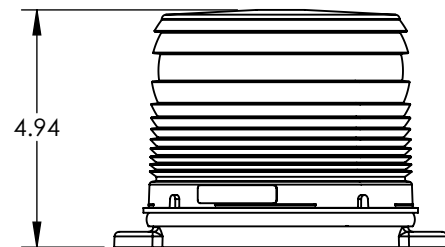
2 HOLE FLANGE MOUNTING

MATERIALS: OUTER DOME: VIRGIN POLYCARBONATE

BASE: POLYCARBONATE



266TCFL-\*



266TSFL-\*

MODELS	DESCRIPTIONS	CLASSIFICATIONS
266TCFL-A	X-FIRE BEACON; AMBER; 9-32VDC; 2 HOLE FLANGE MOUNT; 8 WARM WHITE LED'S; 4 WIRES; AMBER 6 INCH DOME	SAE: W3-1 17
266TCFL-AC	X-FIRE BEACON; AMBER; 9-32VDC; 2 HOLE FLANGE MOUNT; 8 PC AMBER LED'S; 4 WIRES; CLEAR 6 INCH DOME	TBD
266TCFL-B	X-FIRE BEACON; BLUE; 9-32VDC; 2 HOLE FLANGE MOUNT; 8 COOL WHITE LED'S; 4 WIRES; BLUE 6 INCH DOME	TBD
266TCFL-C	X-FIRE BEACON; COOL WHITE; 9-32VDC; 2 HOLE FLANGE MOUNT; 8 COOL WHITE LED'S; 4 WIRES; CLEAR 6 INCH DOME	TBD
266TCFL-G	X-FIRE BEACON; GREEN; 9-32VDC; 2 HOLE FLANGE MOUNT; 8 COOL WHITE LED'S; 4 WIRE; GREEN 6 INCH DOME	N/A
266TCFL-R	X-FIRE BEACON; RED; 9-32VDC; 2 HOLE FLANGE MOUNT; 8 WARM WHITE LED'S; 4 WIRE; RED 6 INCH DOME	TBD
266TSFL-A	X-FIRE BEACON; AMBER; 9-32VDC; 2 HOLE FLANGE MOUNT; 8 WARM WHITE LED'S; 4 WIRE; AMBER 4 INCH DOME	SAE: W3-1 17
266TSFL-AC	X-FIRE BEACON; AMBER; 9-32VDC; 2 HOLE FLANGE MOUNT; 8 PC AMBER LED'S; 4 WIRE; CLEAR 4 INCH DOME	TBD
266TSFL-B	X-FIRE BEACON; BLUE; 9-32VDC; 2 HOLE FLANGE MOUNT; 8 COOL WHITE LED'S; 4 WIRE; BLUE 4 INCH DOME	TBD
266TSFL-C	X-FIRE BEACON; COOL WHITE; 9-32VDC; 2 HOLE FLANGE MOUNT; 8 COOL WHITE LED'S; 4 WIRE; CLEAR 4 INCH DOME	TBD
266TSFL-G	X-FIRE BEACON; GREEN; 9-32VDC; 2 HOLE FLANGE MOUNT; 8 COOL WHITE LED'S; 4 WIRE; GREEN 4 INCH DOME	N/A
266TSFL-R	X-FIRE BEACON; RED; 9-32VDC; 2 HOLE FLANGE MOUNT; 8 WARM WHITE LED'S; 4 WIRE; RED 4 INCH DOME	TBD

UNLESS OTHERWISE SPECIFIED

DIMENSIONS ARE IN INCHES

TOLERANCES:

ANGULAR: ± 2 DEG.

.X ± .100  
 .XX ± .020  
 .XXX ± .005  
 .XXXX ± .001

RoHS COMPLIANT: Yes

MATERIAL:

N/A

FINISH:

N/A

DRAWN BY:

MD

DRAWING APPROVED BY ECR

THE INFORMATION CONTAINED IN THIS DRAWING IS THE SOLE PROPERTY OF STAR HEADLIGHT & LANTERN CO., INC.. ANY REPRODUCTION IN PART OR AS A WHOLE WITHOUT THE WRITTEN PERMISSION OF STAR HEADLIGHT & LANTERN CO., INC. IS STRICTLY PROHIBITED.

**STAR HEADLIGHT & LANTERN CO., INC.**

455 Rochester St. Avon NY 14414  
 Ph:(585) 226-9500 Fax: (585) 226-2029

MODEL: 266TCFL-\*, 266TSFL-\*

TITLE: MODEL DRAWING

DWG. NO.

266TFL

REV

-

SCALE: 1:4

DO NOT SCALE FROM DRAWING

SHEET 1 OF 1