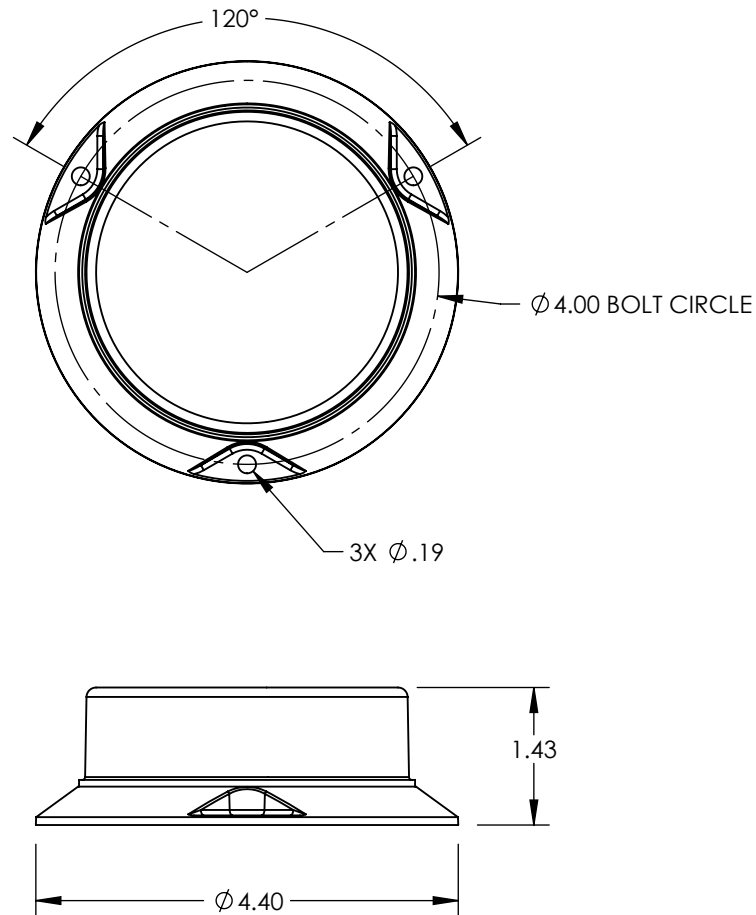


REV.	ECR	DESCRIPTION	DATE
A	18756	INITIAL DRAWING REQUEST	01/05/2023
B	18802	ADDED CERT MARKINGS	2/16/2023



SPECIFICATIONS:

OPERATING RANGE: 9-32VDC
 NOMINAL VOLTAGE: 12/24 VDC
 TYPICAL CURRENT DRAW: 0.4A AVG, 1.1A PEAK @ 12.8V
 OPERATING TEMPERATURE RANGE: -40F (-40C) TO 131F (55C)

CONNECTIONS:

22 GAGE RED WIRE 8" LONG + POWER
 22 GAGE BLACK WIRE 8" LONG - GROUND
 22 GAGE GREEN WIRE 8" LONG - PATTERN SELECT
 22 GAGE WHITE WIRE 8" LONG - SYNCHRONIZATION

INSTALLATION:

3 HOLE FLANGE MOUNTING

MOUNTING HARDWARE:

3/16" THICK EPDM GASKET
 #8-32 X 5/8" PHILLIPS PAN HEAD STAINLESS STEEL
 #8 EXT TOOTH LOCK WASHER STAINLESS STEEL
 #8-32 WELL NUT RUBBER / BRASS

MATERIALS:

OUTER DOME: POLYCARBONATE
 BASE: POLYCARBONATE / ABS BLEND

CERTIFICATIONS:

SAE J845
 SEE CHART

PRODUCT LABEL:

WHITE POLYESTER STOCK CURVED
 BLACK PRINT

INDIVIDUAL PACKAGING:

INDIVIDUAL BOX
 MODEL INFORMATION PRINTED ON LABEL
 MODEL BAR CODE PRINTED ON LABEL

INSTRUCTION SHEET:

1 PROVIDED (ENGLISH)

MODEL	DESCRIPTION	CERT MARKINGS
221ZL-A	MINI 360 BEACON; AMBER; 9-32VDC, 3 HOLE MOUNT, 4 WIRES	SAE W3-1M 21
221ZL-AC	MINI 360 BEACON; AMBER; CLEAR DOME 9-32VDC, 3 HOLE MOUNT, 4 WIRES	SAE W3-1M 21
221ZL-C	MINI 360 BEACON; WHITE; 9-32VDC, 3 HOLE MOUNT, 4 WIRES	SAE W3-1M 21

UNLESS OTHERWISE SPECIFIED

DIMENSIONS ARE IN INCHES

TOLERANCES:

ANGULAR: ± 2 DEG.

.X ± .100
 .XX ± .020
 .XXX ± .005
 .XXXX ± .001

RoHS COMPLIANT: Yes

MATERIAL:

N/A

FINISH:

N/A

DRAWN BY: TA

DRAWING APPROVED BY ECR

THE INFORMATION CONTAINED IN THIS DRAWING IS THE SOLE PROPERTY OF STAR HEADLIGHT & LANTERN CO., INC.. ANY REPRODUCTION IN PART OR AS A WHOLE WITHOUT THE WRITTEN PERMISSION OF STAR HEADLIGHT & LANTERN CO., INC. IS STRICTLY PROHIBITED.

STAR HEADLIGHT & LANTERN CO., INC.

455 Rochester St. Avon NY 14414
 Ph:(585) 226-9500 Fax: (585) 226-2029

MODEL: 221ZL-*

TITLE:
 MINI 360 BEACON

DWG. NO.

221ZL

REV

B

SCALE: 1:2

DO NOT SCALE FROM DRAWING

SHEET 1 OF 1