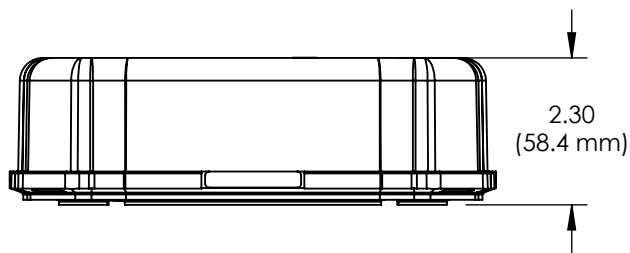
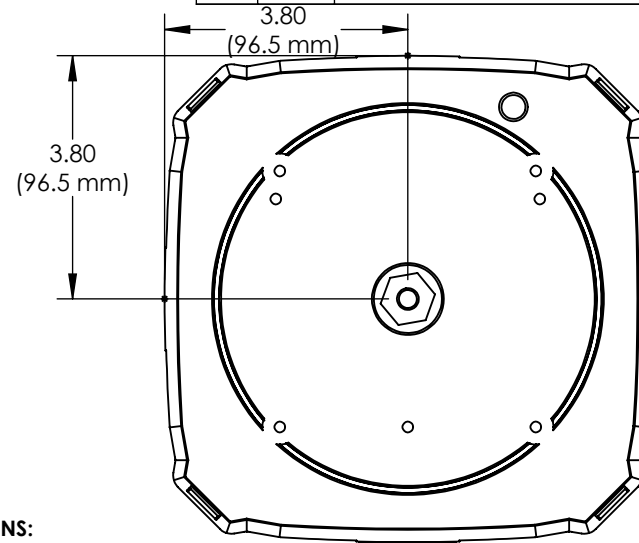
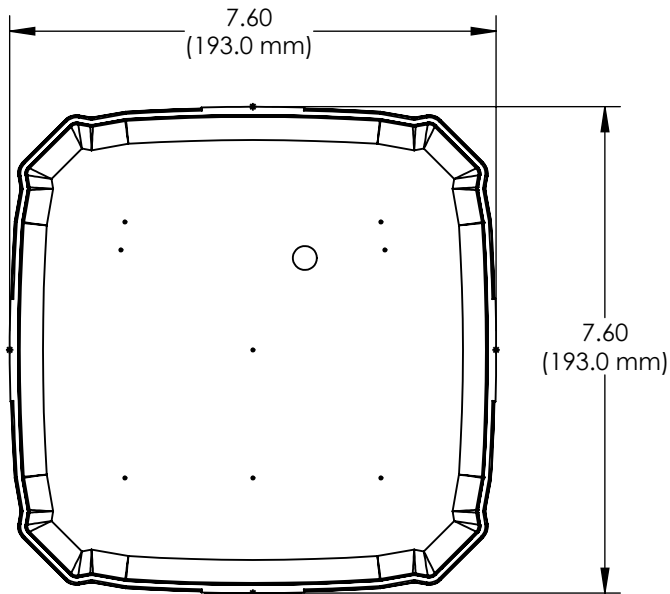


REV.	ECR	DESCRIPTION	DATE
A	17871	INITIAL DRAWING REQUEST	03/11/2021
B	18470	UPDATED TYPICAL CURRENT DRAW. ADDED CA TITLE 13 DISCLAIMER	5/17/2022



SPECIFICATIONS:

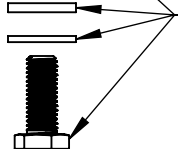
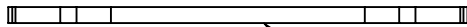
NOMINAL VOLTAGE: 12VDC
 OPERATING VOLTAGE RANGE: 10-16VDC
 TYPICAL CURRENT DRAW: 0.5A AVG. 1.9A PEAK @ 12.8VDC (FOR 9900LEDB-YY-C, AMBER LEDS)
 TYPICAL CURRENT DRAW: 1.2A AVG. 4.3A PEAK @ 12.8VDC (FOP 9900LEDB-A, WHITE LEDS)
 OPERATING TEMPERATURE: -30°C (-22F) TO 50°C (122F)

CONNECTIONS:

RED: POWER +12VDC (18 AWG, 17" LONG)
 BLACK: GROUND (-) (18 AWG, 17" LONG)
 GREEN: PATTERN SELECT (20 AWG, 17" LONG)
 WHITE: SYNCHRONIZATION (20 AWG, 17" LONG)
 PURPLE: HI/LO POWER (20 AWG, 17" LONG)

MATERIALS:

BASE: 33% GLASS FILLED 6/6 NYLON
 DOME: POLYCARBONATE



MOUNTING HARDWARE
 1/2 FLAT WASHER
 EPDM RUBBER SEALING WASHER
 M12-1.75 HOLLOW 12mm BOLT
 GASKET (FOAM EPDM)

MODEL #	DESCRIPTION	SAE J845 CLASSIFICATIONS	CA TITLE 13
9900LEDB-A	LED MINIBAR; WHITE LED W/ AMBER DOME, SINGLE BOLT MOUNT; OPERATING VOLTAGE 10-16 VDC	SAE W3-1 19	CLASS E TABLE IV
9900LEDB-YY-C	LED MINIBAR; AMBER LED W/ CLEAR DOME, SINGLE BOLT MOUNT; OPERATING VOLTAGE 10-16 VDC	SAE W3-1 19	CLASS E TABLE IV

UNLESS OTHERWISE SPECIFIED

DIMENSIONS ARE IN INCHES

TOLERANCES:

ANGULAR: ± 2 DEG.

.X ± .100
 .XX ± .020
 .XXX ± .005
 .XXXX ± .001

RoHS COMPLIANT: YES

MATERIAL: N/A

FINISH: N/A

DRAWN BY: EP

DRAWING APPROVED BY ECR

THE INFORMATION CONTAINED IN THIS DRAWING IS THE SOLE PROPERTY OF STAR HEADLIGHT & LANTERN CO., INC.. ANY REPRODUCTION IN PART OR AS A WHOLE WITHOUT THE WRITTEN PERMISSION OF STAR HEADLIGHT & LANTERN CO., INC. IS STRICTLY PROHIBITED.

STAR HEADLIGHT & LANTERN CO., INC.

455 Rochester St. Avon NY 14414
 Ph:(585) 226-9500 Fax: (585) 226-2029

MODEL: 9900LEDB

TITLE: ASSEMBLY DRAWING

DWG. NO. 9900LEDB

REV B

SCALE: 1:4 DO NOT SCALE FROM DRAWING SHEET 1 OF 1

Disclaimer: CA 13 Photometrics were performed using an AMECA Certified SAE Compliant 60 ft light tunnel. While light measurements are consistent with longer tunnels, formal Title 13 certification does require 100 ft. light tunnel