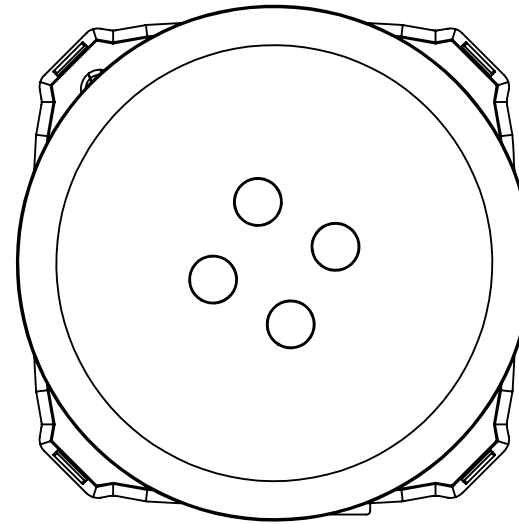


REV.	ECR	DESCRIPTION	DATE
A	18470	INITIAL DRAWING REQUEST	06/20/2022



SPECIFICATIONS:

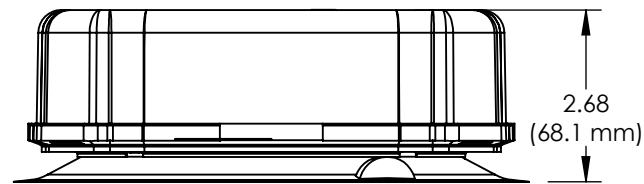
NOMINAL VOLTAGE: 12VDC
 OPERATING VOLTAGE RANGE: 10-16VDC
 TYPICAL CURRENT DRAW: 0.5A AVG. 1.9A PEAK @ 12.8VDC (FOR 9900LEDB-YY-C, AMBER LEDS)
 TYPICAL CURRENT DRAW: 1.2A AVG. 4.3A PEAK @ 12.8VDC (FOP 9900LEDB-A, WHITE LEDS)
 OPERATING TEMPERATURE: -30°C (-22F) TO 50°C (122F)

CONNECTIONS:

RED: POWER +12VDC (18 AWG, 17" LONG)
 BLACK: GROUND (-) (18 AWG, 17" LONG)
 GREEN: PATTERN SELECT (20 AWG, 17" LONG)
 WHITE: SYNCHRONIZATION (20 AWG, 17" LONG)
 PURPLE: HI/LO POWER (20 AWG, 17" LONG)

MATERIALS:

BASE: 33% GLASS FILLED 6/6 NYLON
 DOME: POLYCARBONATE



MODEL #	DESCRIPTION	SAE J845 CLASSIFICATIONS	CA TITLE 13
9900LEDV-A	LED MINIBAR; WHITE LED W/ AMBER DOME, VACCUM MOUNT; OPERATING VOLTAGE 10-16 VDC	SAE W3-1 19	CLASS E TABLE IV
9900LEDV-YY-C	LED MINIBAR; AMBER LED W/ CLEAR DOME, VACCUM MOUNT; OPERATING VOLTAGE 10-16 VDC	SAE W3-1 19	CLASS E TABLE IV

UNLESS OTHERWISE SPECIFIED

DIMENSIONS ARE IN INCHES

TOLERANCES:

ANGULAR: ± 2 DEG.
 .X ± .100
 .XX ± .020
 .XXX ± .005
 .XXXX ± .001

RoHS COMPLIANT: YES

MATERIAL:

N/A

FINISH:

N/A

DRAWN BY: EP

DRAWING APPROVED BY ECR

THE INFORMATION CONTAINED IN THIS DRAWING IS THE SOLE PROPERTY OF STAR HEADLIGHT & LANTERN CO., INC.. ANY REPRODUCTION IN PART OR AS A WHOLE WITHOUT THE WRITTEN PERMISSION OF STAR HEADLIGHT & LANTERN CO., INC. IS STRICTLY PROHIBITED.

STAR HEADLIGHT & LANTERN CO., INC.

455 Rochester St. Avon NY 14414
 Ph:(585) 226-9500 Fax: (585) 226-2029

MODEL: 9900LEDV

TITLE:
MODEL DRAWING

DWG. NO.

9900LEDV

REV

A

SCALE: 1:8

DO NOT SCALE FROM DRAWING

SHEET 1 OF 1

Disclaimer: CA 13 Photometrics were performed using an AMECA Certified SAE Compliant 60 ft light tunnel. While light measurements are consistent with longer tunnels, formal Title 13 certification does require 100 ft. light tunnel