

LED MINI 360 BEACON, CLASS I

STAR
Safety Technologies by *Grote*







79243



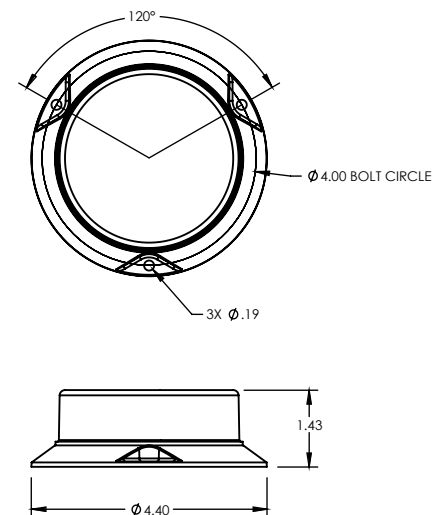
79250

FEATURES & BENEFITS

- Star Generation IV LEDs
- Reliable environmental protection
- Twelve customer selectable flash patterns in either of two phases, plus Steady-On
- S-Link Systems™ synchronizing capabilities with other Star LED units
- Polarity protected
- Polycarbonate lens and base (Ultrasonic welded)
- Three-hole, permanent mount and magnet mount with pattern select cig. plug
- Voltage: 9-32V DC
- Amp draw: 0.4 amps @ 12V DC, 0.2 amps @ 24V DC
- Colors:    
- Approvals: SAE Class I, IP67 (Amber, Clear, Amber LED Clear Lens, Blue LED Clear Lens)
SAE Class III Green LED Clear Lens



(Pole not included)



PART	DESCRIPTION
79243	LED Mini 360 Beacon permanent mount, Class I, Amber w/Amber Lens
79240	LED Mini 360 Beacon permanent mount, Class I, Amber w/Clear Lens
79241	LED Mini 360 Beacon permanent mount, Class I, Clear w/Clear Lens
79244	LED Mini 360 Beacon permanent mount, Class III, Green w/Clear Lens
79245	LED Mini 360 Beacon permanent mount, Class I, Blue w/Clear Lens
79253	LED Mini 360 Beacon magnet mount, Class I, Amber w/Amber Lens
79250	LED Mini 360 Beacon magnet mount, Class I, Amber w/Clear Lens
79251	LED Mini 360 Beacon magnet mount, Class I, Clear w/Clear Lens
79254	LED Mini 360 Beacon magnet mount, Class III, Green w/Clear Lens
79255	LED Mini 360 Beacon magnet mount, Class I, Blue w/Clear Lens
93605	Mirror mount bracket for Mini Beacon

(Formerly the 221 series)

 **Warning:** Cancer and Reproductive Harm - www.P65Warnings.ca.gov

SF227 REV C 9-6-24



**FOR MORE INFORMATION
VISIT OUR WEBSITE.
STARSAFETYTECHNOLOGIES.COM**

Star Safety Technologies, LLC
455 Rochester St., Avon, NY 14414
Phone: 585-226-9500 | Fax: 888-478-2797

STAR
Safety Technologies by *Grote*