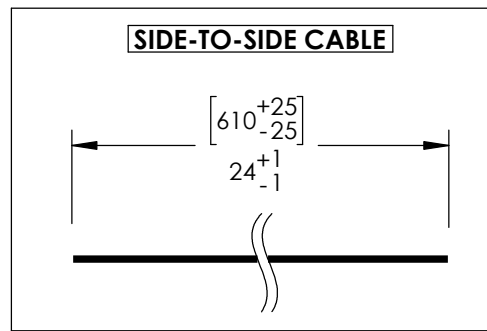
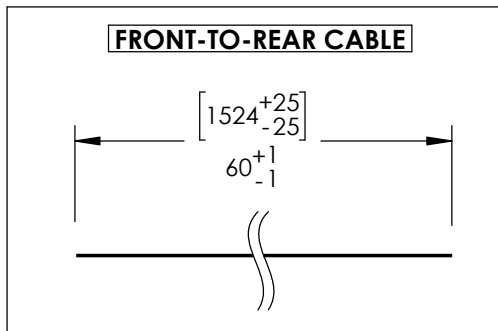
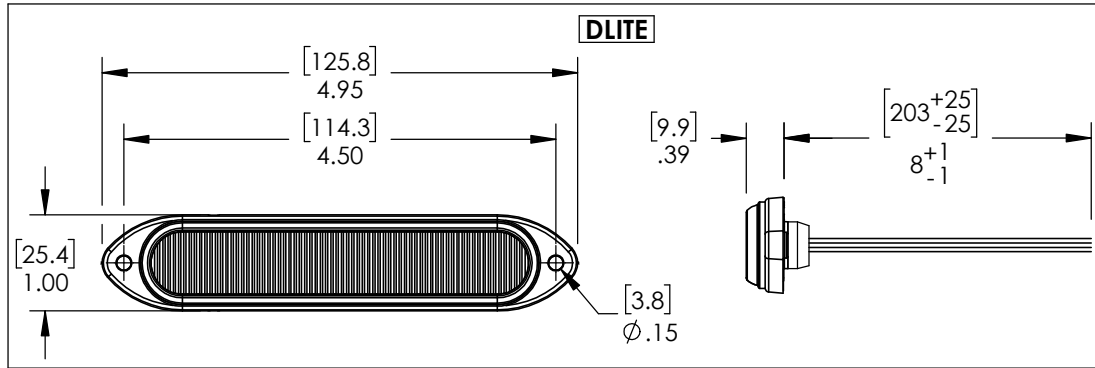


REV.	ECR	DESCRIPTION	DATE
-	17628	INITIAL DRAWING REQUEST	11/13/20



SPECIFICATIONS:

OPERATING RANGE: 10-30VDC
 NOMINAL VOLTAGE: 12/24V
 TYPICAL CURRENT DRAW: 0.55A @ 12.8V PER HEAD
 OPERATING TEMPERATURE: -40 TO 55°C

MODULE CONNECTIONS:

22 GAGE RED WIRE: POSITIVE VDC
 22 GAGE BLACK WIRE: NEGATIVE VDC
 22 GAGE GREEN WIRE: PATTERN SELECT
 22 GAGE WHITE WIRE: SYNCHRONIZATION

CABLE EXTENSIONS:

FRONT TO BACK CABLE
 2-CONDUCTOR; 18 AWG; TYPE SXL; -40 TO 125°C; 0.11" OD
 SIDE TO SIDE CABLE
 4-CONDUCTOR; 20 AWG; TYPE GXL; -40 TO 125°C; 0.23" OD

WIRE CONNECTORS:

14-16 AWG PERMA-SEAL BUTT SPLICE
 18-20 AWG PERMA-SEAL BUTT SPLICE

INSTALLATION:

MODULE: 2-HOLE MOUNT 4.5" (114MM)
 CABLE: 4" ZIP TIES
 HARDWARE: (2) #6 X 5/8" SELF TAPPING S/S SCREW

MATERIALS:

MODULE LENS: POLYCARBONATE
 MOUNTING HARDWARE: STAINLESS STEEL
 HEAT SINK: DIE CAST ALUMINUM
 MOUNTING GASKET: EPDM FOAM RUBBER

CERTIFICATIONS:

SAE J595
 SEE CHART

PACKAGING:

APPROXIMATELY 4.25lbs

INSTRUCTION SHEET:

1 PROVIDED ENGLISH

MODEL	DESCRIPTION	CERT MARKING
DLITE-RR	10-30VDC; 0.55A; BLACK BEZEL; FLUSH MOUNT; FOUR WIRE; S-LINK+; 6 LED'S; WIDE SPREAD LENS.	SAE CLASS I

UNLESS OTHERWISE SPECIFIED DIMENSIONS ARE IN INCHES TOLERANCES: ANGULAR: ± 2 DEG. .X ± .100 .XX ± .020 .XXX ± .005 .XXXX ± .001	DRAWN BY: MB	STAR HEADLIGHT & LANTERN CO., INC. 455 Rochester St. Avon NY 14414 Ph:(585) 226-9500 Fax: (585) 226-2029
	DRAWING APPROVED BY ECR	
RoHS COMPLIANT: Yes	THE INFORMATION CONTAINED IN THIS DRAWING IS THE SOLE PROPERTY OF STAR HEADLIGHT & LANTERN CO., INC.. ANY REPRODUCTION IN PART OR AS A WHOLE WITHOUT THE WRITTEN PERMISSION OF STAR HEADLIGHT & LANTERN CO., INC. IS STRICTLY PROHIBITED.	MODEL:
MATERIAL: N/A FINISH: N/A		TITLE: SCHOOL BUS AUX. LIGHT KIT
		DWG. NO. BKSCHOOL2 REV -
		SCALE: 1:4 DO NOT SCALE FROM DRAWING SHEET 1 OF 1